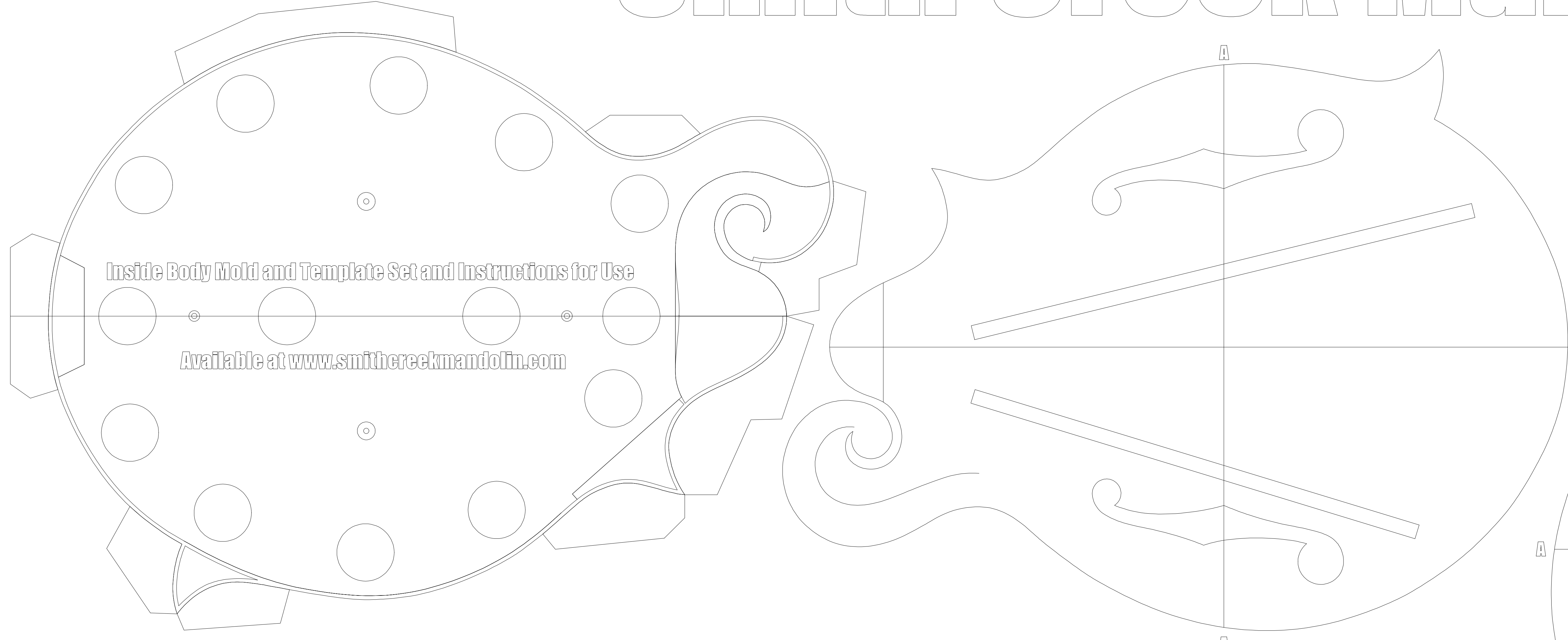
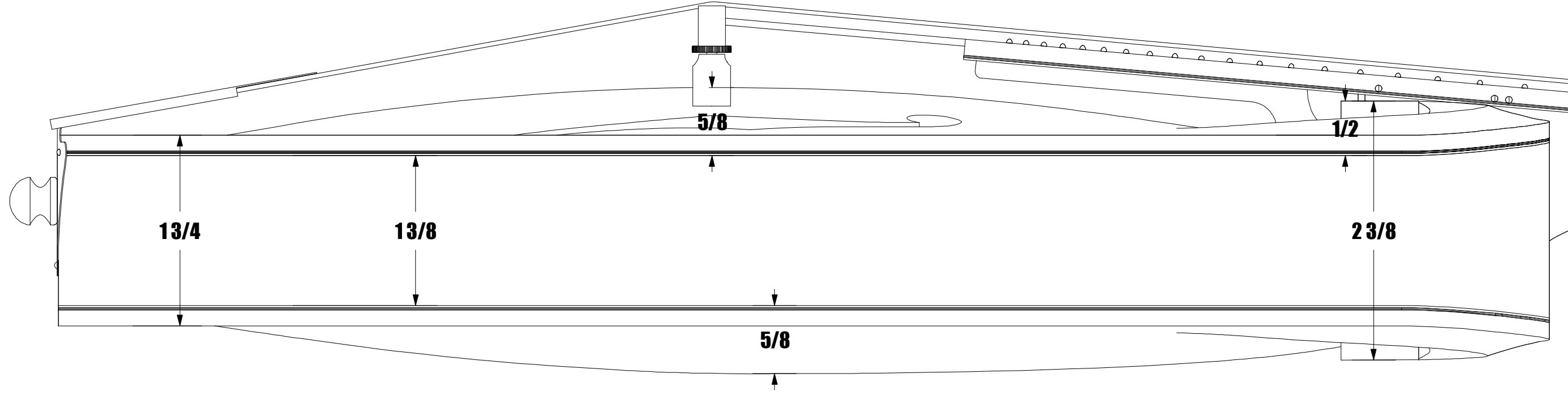
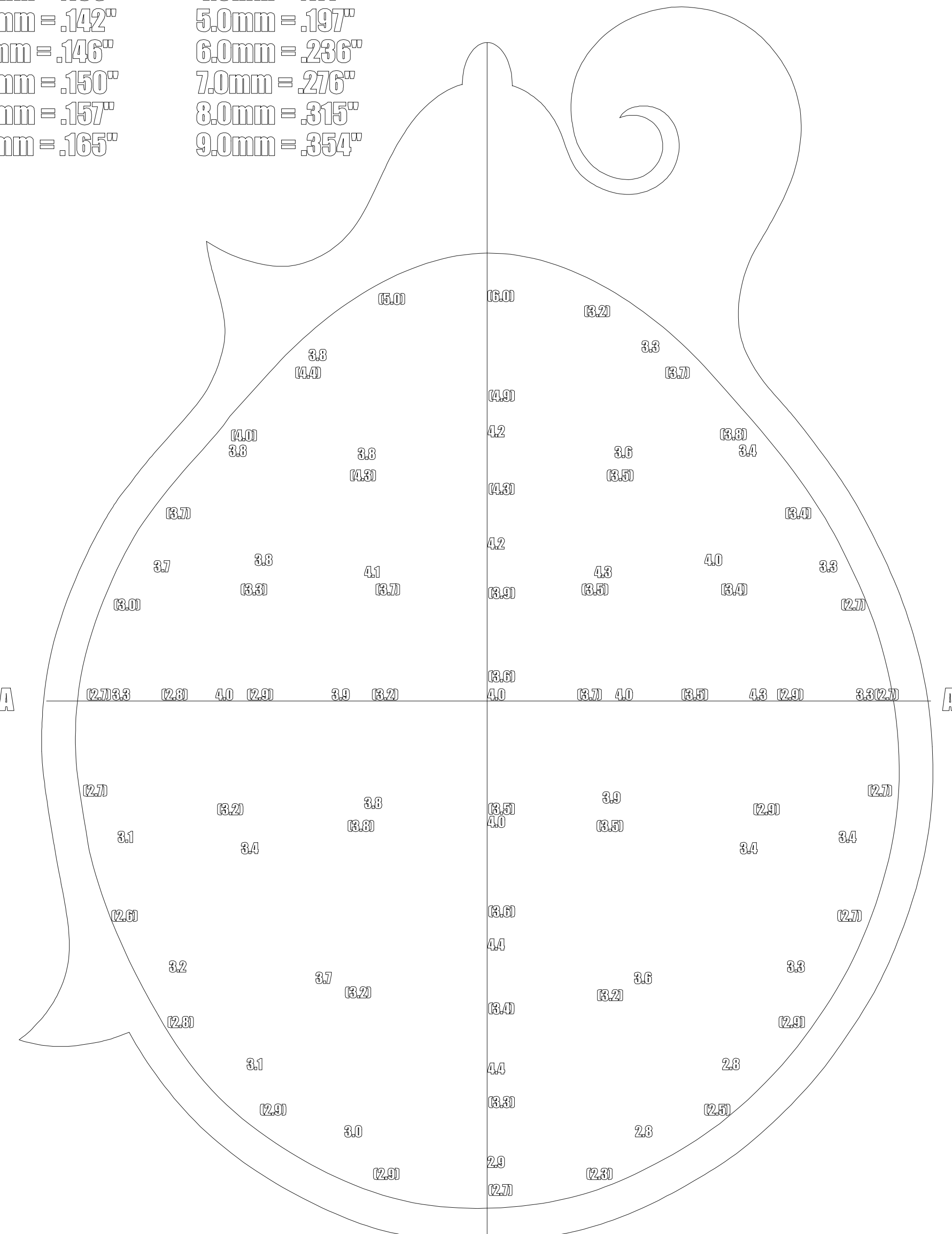
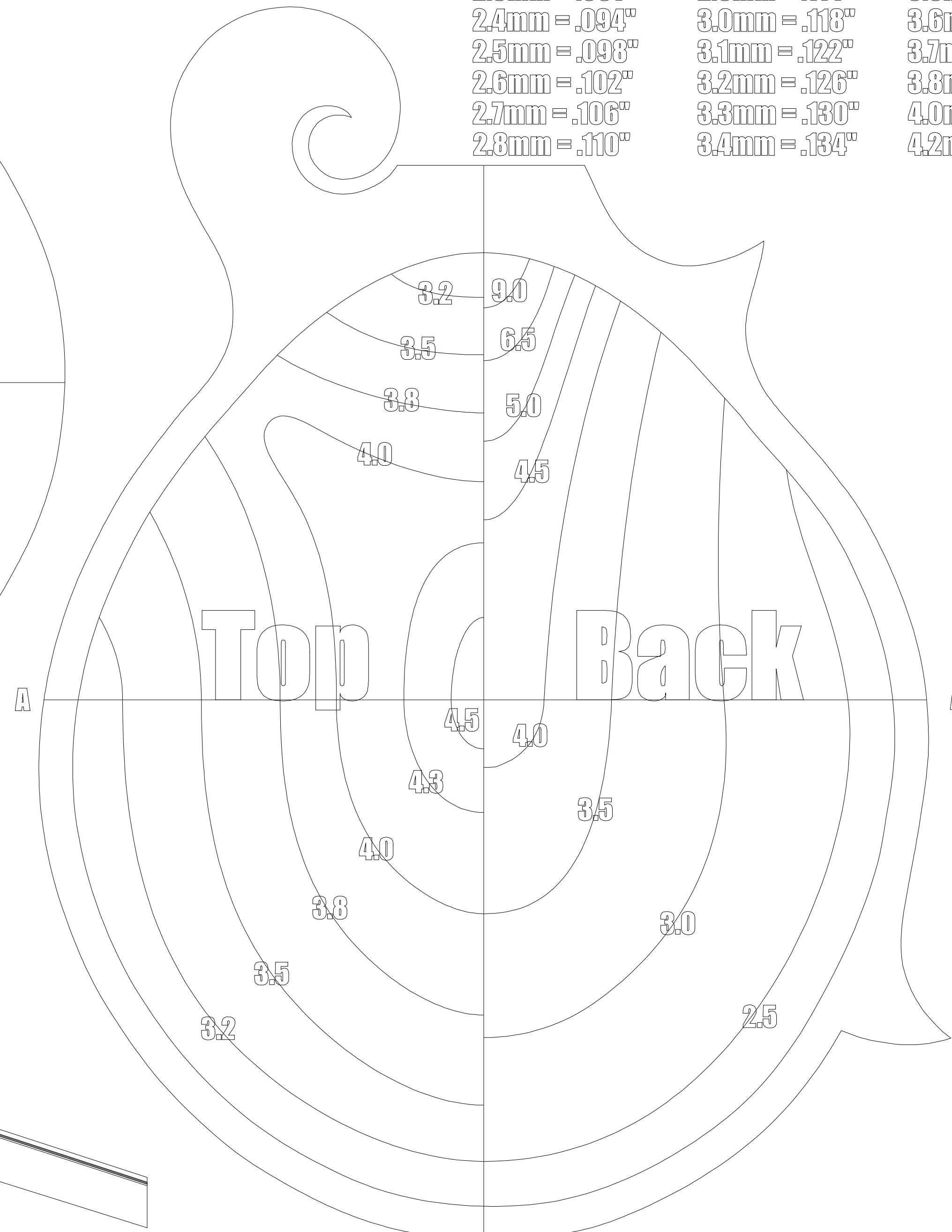


Smith Creek Mandolin F-5



Millimeter/Inch Conversion

| | | | |
|---------------|---------------|---------------|---------------|
| 2.3mm = .091" | 2.9mm = .114" | 3.5mm = .138" | 4.5mm = .177" |
| 2.4mm = .094" | 3.0mm = .118" | 3.6mm = .142" | 5.0mm = .197" |
| 2.5mm = .098" | 3.1mm = .122" | 3.7mm = .146" | 6.0mm = .236" |
| 2.6mm = .102" | 3.2mm = .126" | 3.8mm = .150" | 7.0mm = .276" |
| 2.7mm = .106" | 3.3mm = .130" | 4.0mm = .157" | 8.0mm = .315" |
| 2.8mm = .110" | 3.4mm = .134" | 4.2mm = .165" | 9.0mm = .354" |



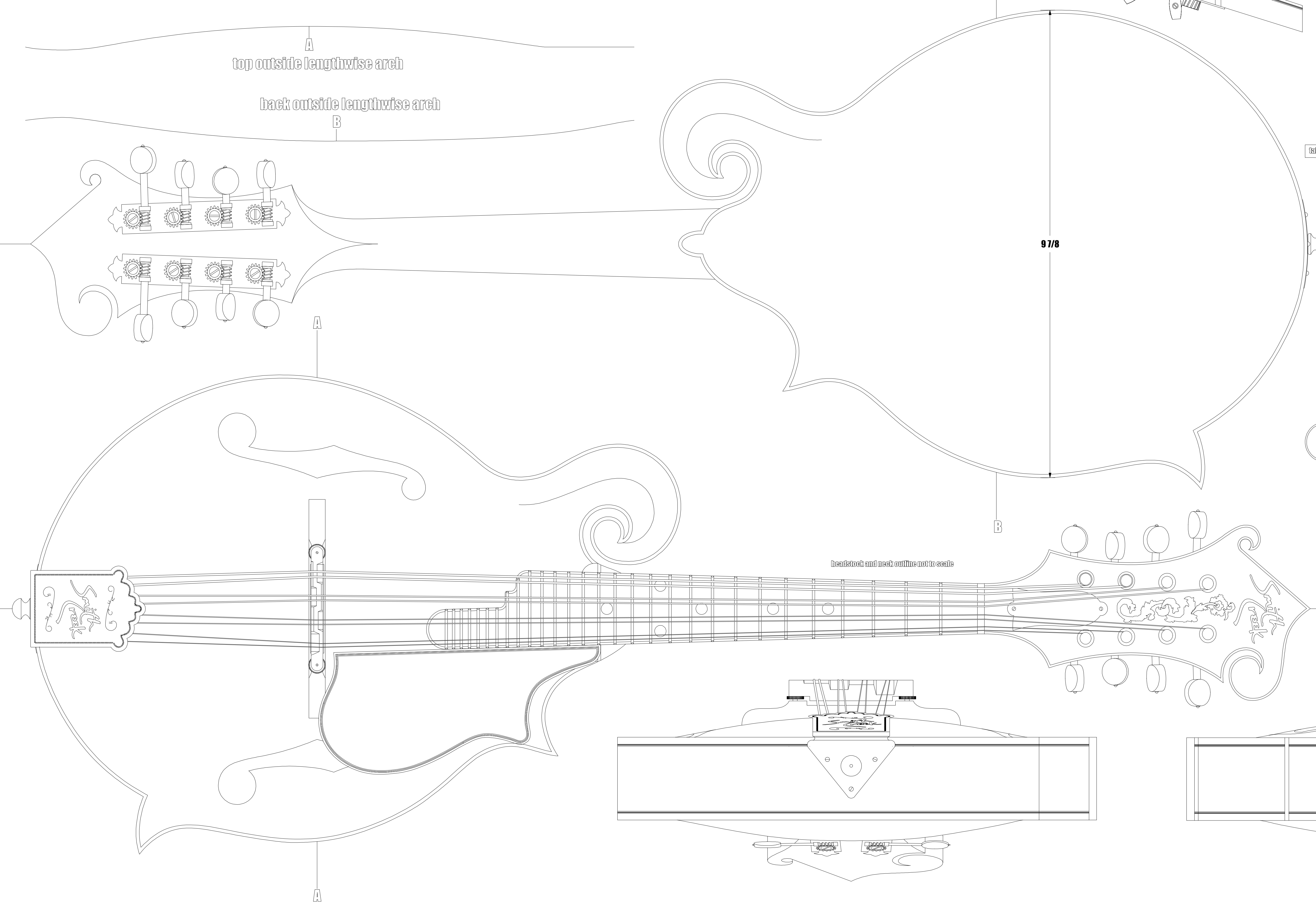
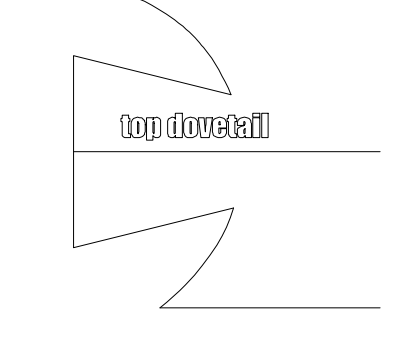
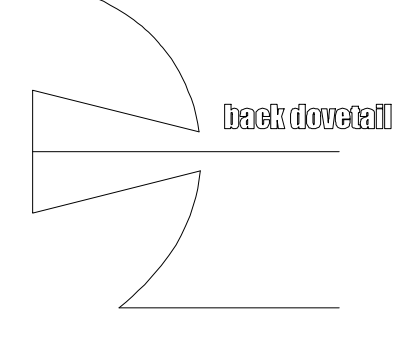
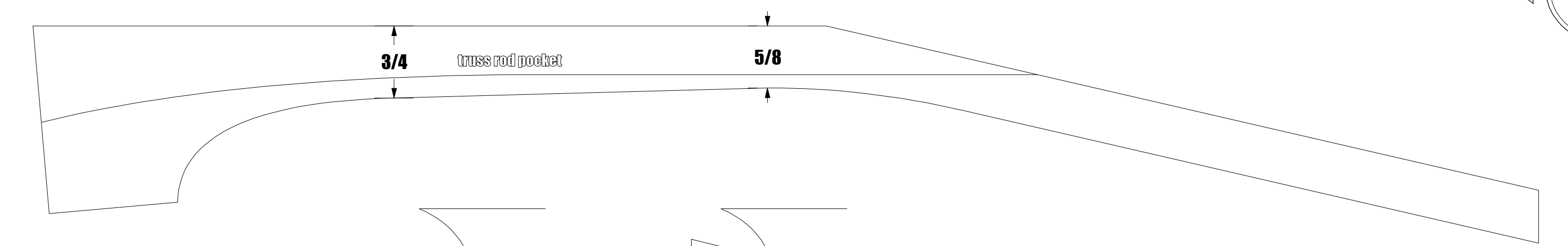
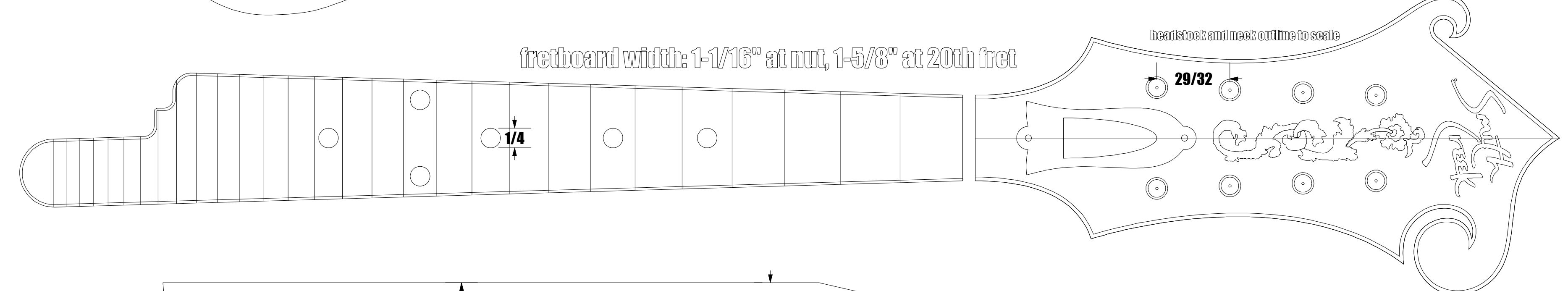
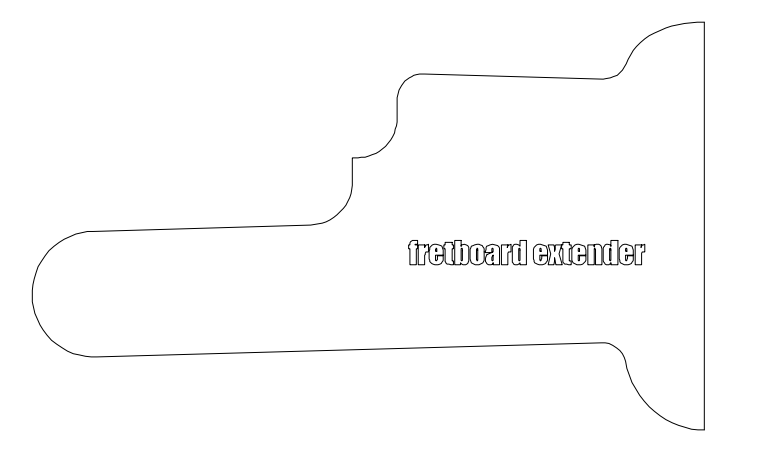
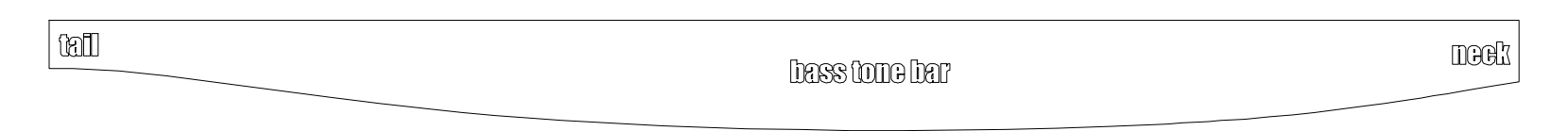
Scale: 13-7/8

top outside lengthwise arch

back outside lengthwise arch

Typical F-5 Graduations
 measurements symmetrical around centerline

Graduations From #73013
 Signed by Lloyd Loar, April 25, 1923
 (back measurements in parenthesis)



top outside arch at A

back outside arch at B